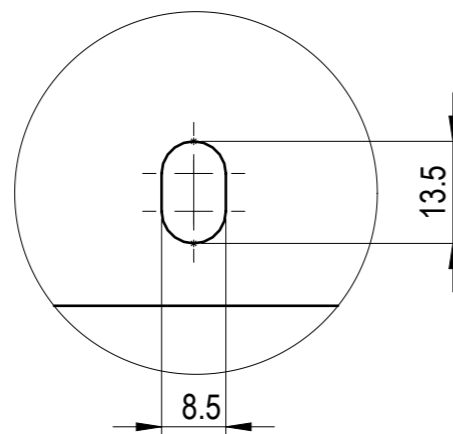


A
SCALE: 1 : 1



Other dimensions from .DXF file.

SHEET METAL INFORMATION	
Length, mm	2740
Width, mm	320
Thickness, mm	2

WEMPS ENGINEERING SERVICES	MATERIAL	WEIGHT	DEBURR AND BREAK SHARP EDGES DO NOT SCALE DRAWING		REVISION	DATE
	DX51D+Z275	13.209 Kg				4/9/2025
	SURFACE PROTECTION	MACHINING	THERMAL CUTTING	WELDING	SCALE	FORMAT
	-	ISO 2768 mK	ISO 9013 441	ISO 13920 BF	1:10	A3
	NAME	SIGNATURE	PART NO.			
Designed by	D. Dislers		105-05000-07			
Drawn by	E. Kriviss		DESCRIPTION			
Technical ref.			Deflector gap cover plate			SHEET 1/1